

PISTON SEAL KPOR30



The double-action KPOR30 consists of a PTFE-bronze sealing element and an O-ring that serves as a pre-tensioning element.

The pre-tensioning in combination with a defined coating of the PTFE ring offers a good sealing effect at high dynamic loads or low operating pressures. It simultaneously exhibits very good static leak-tightness. Positioned on the sides, pressure release grooves provide quick pressure and directional changes, immediately activating the seal.

Thanks to their standardized installation space, the K70 or K84 piston seal can be used, depending on the operating conditions. This gives the user maximum flexibility during the design phase.

DIMENSIONS

The currently available dimensions can be found on our online ordering platform **EASY** and in our webshop at www.dichtomatik.com.

APPLICATIONS

SPOR30 is suited for use in nearly all areas of mobile and stationary hydraulics. The double-action piston seal lends itself to use in numerous applications such as:



- Agricultural machinery
- Construction machinery
- Truck loading cranes
- Spray injection molding machines
- Handling devices
- Industrial trucks
- Standard cylinders
- Presses
- Switch valves
- And many more

YOUR ADVANTAGES AT A GLANCE

- No stick-slip effect
- Reduced friction is achievable even at low speeds
- During relatively long operational breaks, the seal separates from the counter-surface without sticking
- Very good wear characteristics
- Usage in a high temperature range, depending on the O-ring material
- Recirculation of the fluid film thanks to an adapted seal edge geometry
- Standardized installation spaces



CHARACTERISTICS

Dichtungswerkstoffe

The sealing element SPOR31 is made of PTFE-bronze. The O-ring is constructed from NBR70 Shore A.

Mounting

This two-part piston seal can be easily installed into pierced grooves. Subsequent calibration is recommended. Relatively small dimensions make axially accessible grooves necessary, eliminating the calibration.

Media resistance

- Hydraulic oils in accordance with DIN 51524 Part 1-3
- Lubricating oils and greases based on mineral oil
- Flame retardant hydraulic fluids HFA, HFB, HFC

Limits of operating use

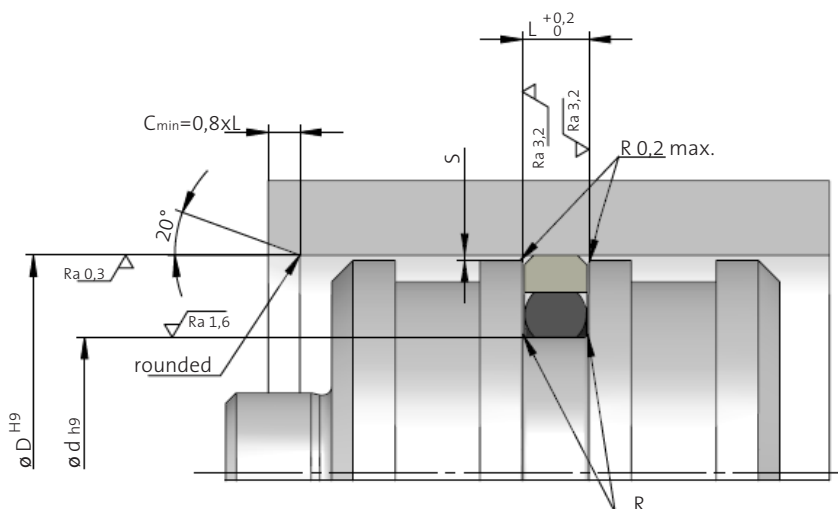
Pressure (MPa)	to 40
Temperature (°C)	-30 to +100
Glide speed (m/s)	≤15

Design guideline

Ød	D-4,9	D-7,5	D-11	D-15,5	D-21	D-24,5	D-28	D-38
Height L	2,2	3,2	4,2	6,3	8,1	9,5	9,5	13,8
R	0,4	0,6	0,8	1,2	1,6	1,6	2,5	2,5

Gap Smax. in operation

up to 20 MPa	0,2	0,25	0,3	0,35	0,5	0,7
up to 40 MPa	0,13	0,15	0,18	0,2	0,25	0,3



Installation spaces in accordance with ISO 7425/1

Die hierin enthaltenen Informationen werden als zuverlässig erachtet, es werden jedoch keinerlei Zusicherungen, Garantien oder Gewährleistungen jeglicher Art in Bezug auf ihre Richtigkeit oder Eignung für irgendeinen Zweck gegeben. Die hierin wiedergegebenen Informationen basieren auf dem heutigen Stand der Technik und sind nicht unbedingt indikativ für die Leistung des Endprodukts. Vollständige Tests und die Leistung des Endprodukts liegen in der Verantwortung des Anwenders.

www.dichtomatik.com